

Product: [RK2EXS-LL-WS/A R](#) 

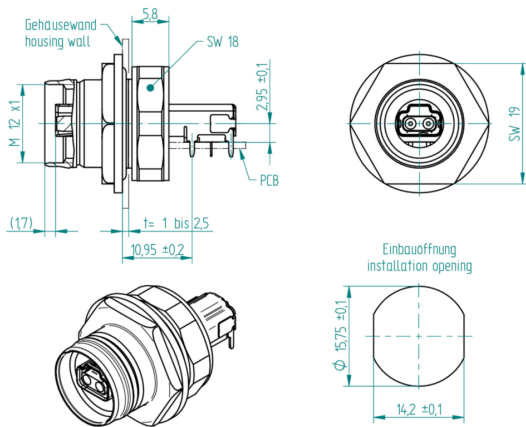
SPE M12 PCB angled soldering insert, in reel package



Product Description

SPE M12 SPE PCB insert, angled, soldering, in reel package

Technical Drawing



Technical Specifications

Technical Data

Product Family:	SPE Receptacles
Product Sub Family:	SPE Receptacle M12 Insert
Connecting Side:	Soldering
Brand:	Lumberg Automation
Type of Contact / Gender:	Female
Connector Design:	Angled
Number of Pins:	2
Shielding:	Shielded
Rated Voltage:	60 V
Operating Voltage:	50 V AC / 60 V DC
Rated Current*:	4 A
Contact Resistance:	≤ 20 mOhm
Shielding Resistance:	≤ 100 mOhm
Insulation Resistance:	> 5x10 ⁸ Ohm
Testing Voltage Pin - Pin:	1 kV
Testing Voltage Pin - Shield:	2.25 kV
Transmission characteristics:	600 MHz
Data Rate:	10 Mbit/s 100 Mbit/s 1 Gbit/s 2.5 Gbit/s 5 Gbit/s 10 Gbit/s
Mating Cycles:	≥ 1000
Thread Size:	M12 x 1

Thread Plating:	Nickel-plated
Ambient Temperature (Operation)*:	- 40°C - +85°C
Protection Degree / IP Rating**:	IP20
Design Standard:	IEC 63171-6, IEEE 802.3bu (remote power supply over PoDL = Power over Data Line), IEEE 802.3cg (10BASE-T1)
Pollution Degree:	3 acc. to DIN EN 60664-1 (VDE 0110-1)
Moisture Sensitivity Level (MSL):	1 acc. ECA/IPC/JEDEC J-STD-020D
Process Sensitivity Level (PSL):	R0 acc. ECA/IPC/JEDEC J-STD-020D

Additional Technical Data

Fastening Torque (Attachment):	M 12x1: 60 Ncm, hand-tight
--------------------------------	----------------------------

Safety & Environmental Compliance

RoHS Compliant:	yes
China RoHS-Compliant:	Yes

Notes

Protection Degree / IP Rating Note:	** only if mounted and locked in combination with Hirschmann / Lumberg Automation connector.
-------------------------------------	--

© 2023 Belden, Inc

All Rights Reserved.

Although Belden makes every reasonable effort to ensure their accuracy at the time of this publication, information and specifications described here in are subject to error or omission and to change without notice, and the listing of such information and specifications does not ensure product availability.

Belden provides the information and specifications herein on an "ASIS" basis, with no representations or warranties, whether express, statutory or implied. In no event will Belden be liable for any damages (including consequential, indirect, incidental, special, punitive, or exemplary damages) whatsoever, even if Belden has been advised of the possibility of such damages, whether in an action under contract, negligence or any other theory, arising out of or in connection with the use, or inability to use, the information or specifications described herein.

All sales of Belden products are subject to Belden's standard terms and conditions of sale.

Belden believes this product to be in compliance with all applicable environmental programs as listed in the data sheet. The information provided is correct to the best of Belden's knowledge, information and belief at the date of its publication. This information is designed only as a general guide for the safe handling, storage, and any other operation of the product itself or the one that it becomes a part of. The Product Disclosure is not to be considered a warranty or quality specification. Regulatory information is for guidance purposes only. Product users are responsible for determining the applicability of legislation and regulations based on their individual usage of the product.